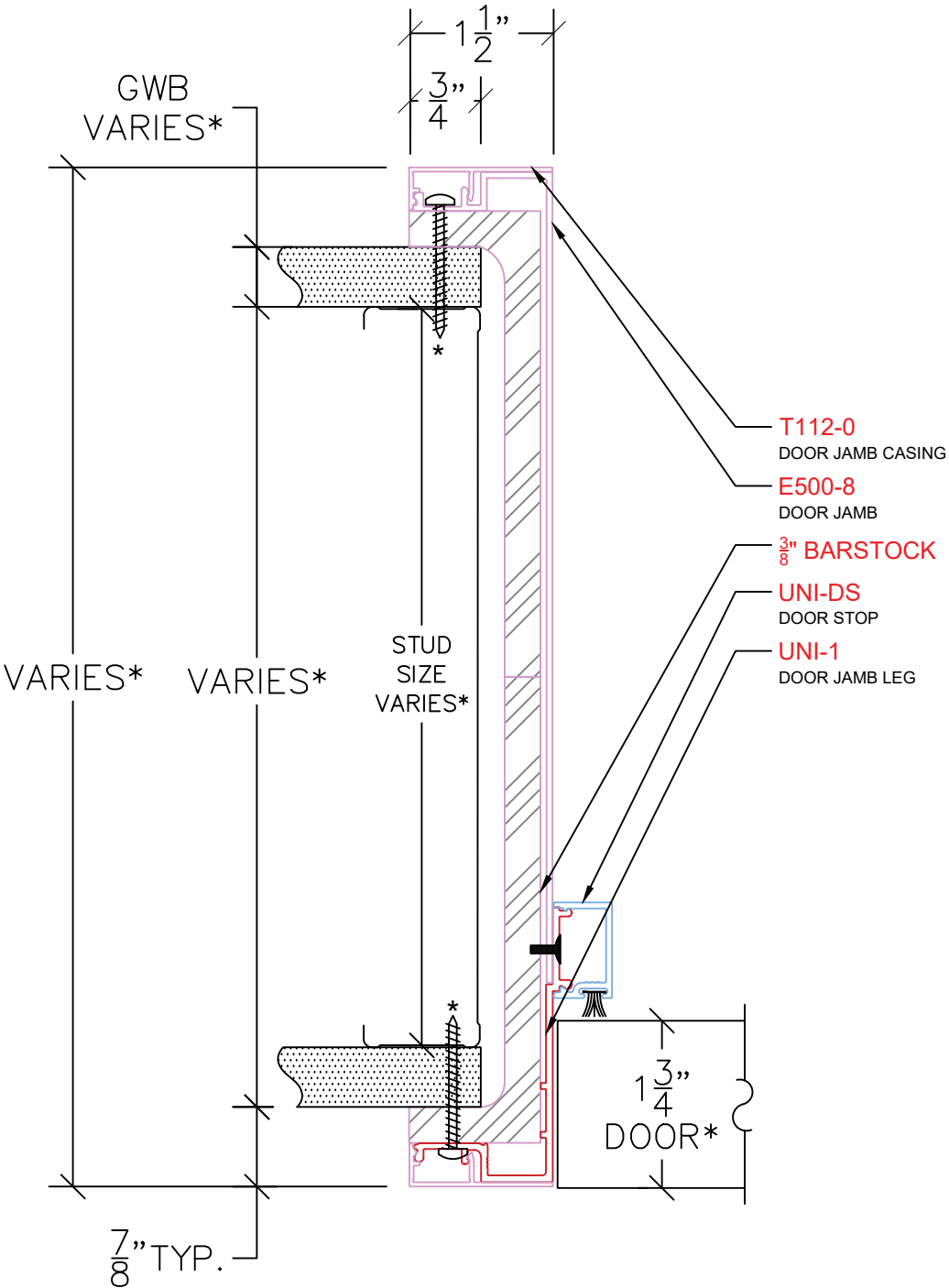


AVALON BALLISTIC EAGLE-UNI

U100 - DOOR JAMB
PROFILE: 1 1/2" TRIM



P: (503)885-9494
W: AVALONINT.COM