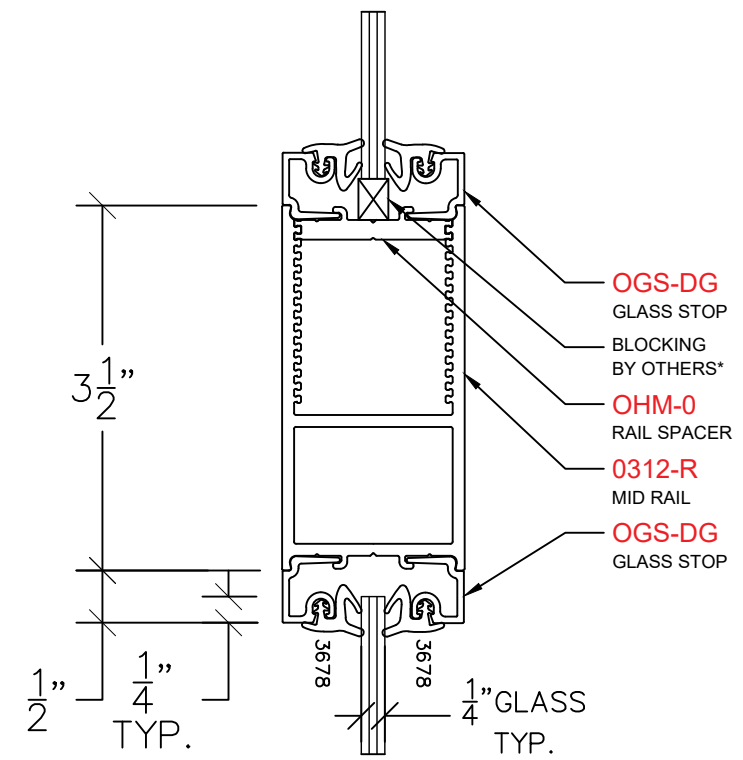


# AVALON EAGLE DOOR

MR – MID RAIL  
PROFILE: 3 $\frac{1}{2}$ " (MEDIUM)



NOTE: STANDARD GLASS BITE  $\frac{1}{4}$ "



P: (503)885-9494  
W: AVALONINT.COM