

Our FLUSH GLIDE system delivers a seamless aesthetic to any design.

- Profiles are available in standard 1-1/2" or 2"
- No sill starter/ blocking needed
- ANSI Strike
- No Extended Lip Strike Required
- 1" Wide Door Stop
- No Additional Bracket needed for Parallel Arm Closer
- Heavy-duty All Aluminum Hinge Backer
- Mitre Corners Available



Clear  
Anodized



Standard  
Black



Standard  
White



Standard  
Bronze



Standard  
Grey



Champagne

#### PREMIUM HARDWARE

- Electric Strikes - All types
- Backers Included & Installed

## Aluminum Frames With Glazing

AVALON'S Flush Glider System offers the ultimate solution for confined door spaces. Architects prefer it beyond its space-saving design, this system prevents slamming, ensuring gentle and safe closure.



No Field Notching of Trim Required

#### Rough Opening for 1-1/2" or 2" profile:

Opening Size + 3/4" each side

Example: 3070 Frame

$3/4" + 36" \text{ width} + 3/4" = 36-1/2"$  rough opening

Example: 3070 Frame with 1'-0" Sidelite

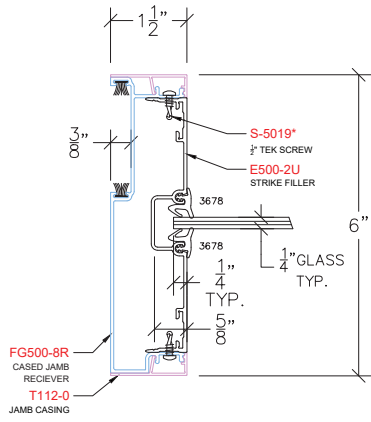
$3/4" + 36" \text{ width} + 1-1/2" \text{ profile} + 1'-0" \text{ sidelite} + 3/4" = 4'-3"$

#### All Throats Feature:

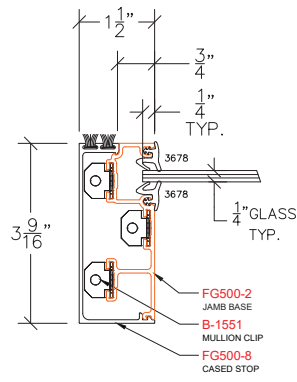
Flush Glazing 3-1/2" to 16-1/2" walls in 1/8" increments



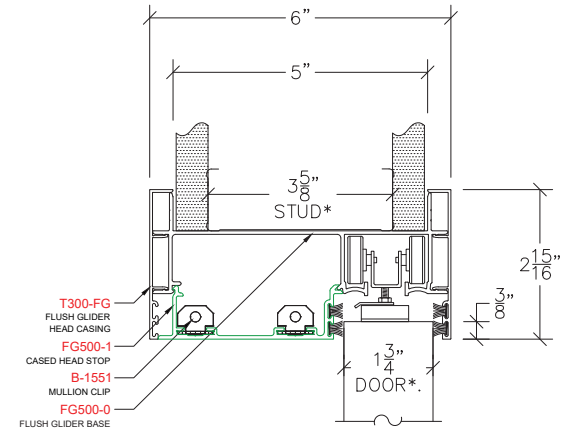
**AVALON**  
**INTERNATIONAL**  
**ALUMINUM**



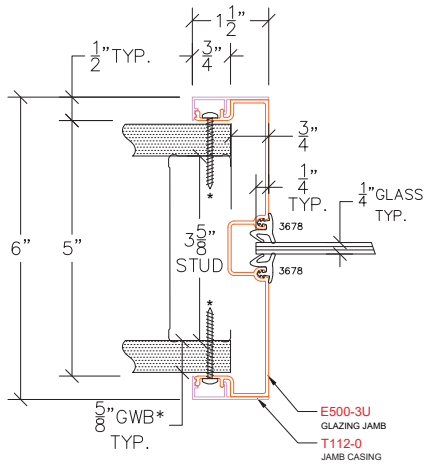
FG150R - GLAZING JAMB RECEIVER



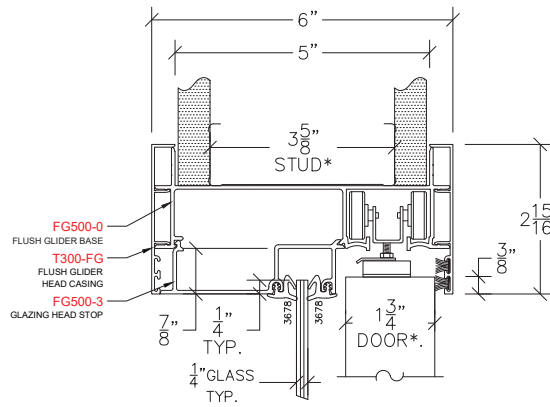
FG150 - CASED VERTICAL MULLION



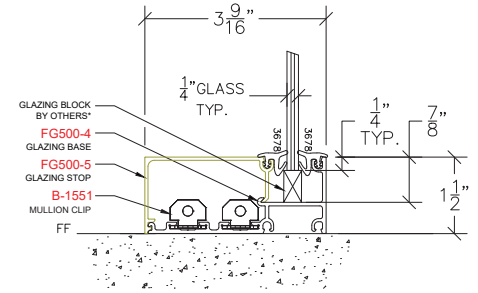
FG200 - DOOR HEAD



FG300 - GLAZING JAMB

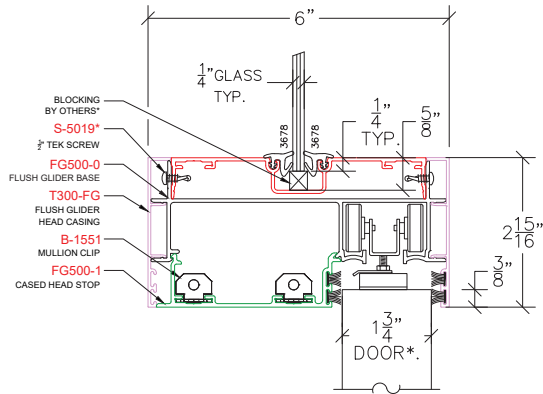


FG400 - GLAZING HEAD

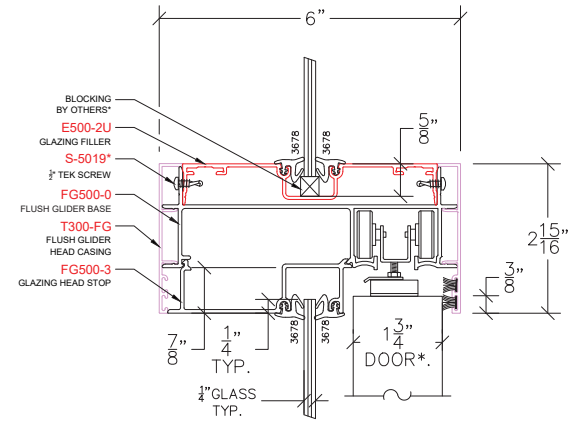


FG420 - GLAZING SILL

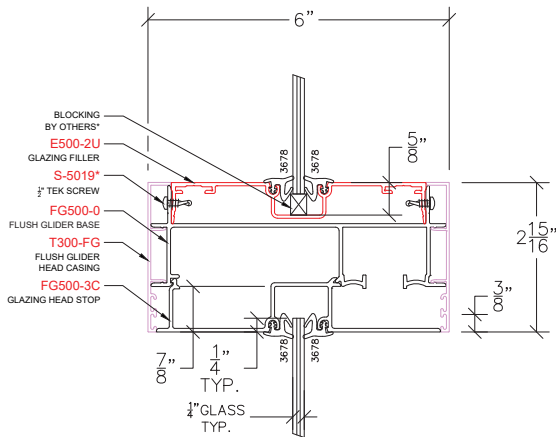




FG216 - DOOR HEAD W/ TRANSOM



FG426 - GLAZING HEAD W/ TRANSOM



FG426C - GLAZING HEAD COVERED W/ TRANSOM