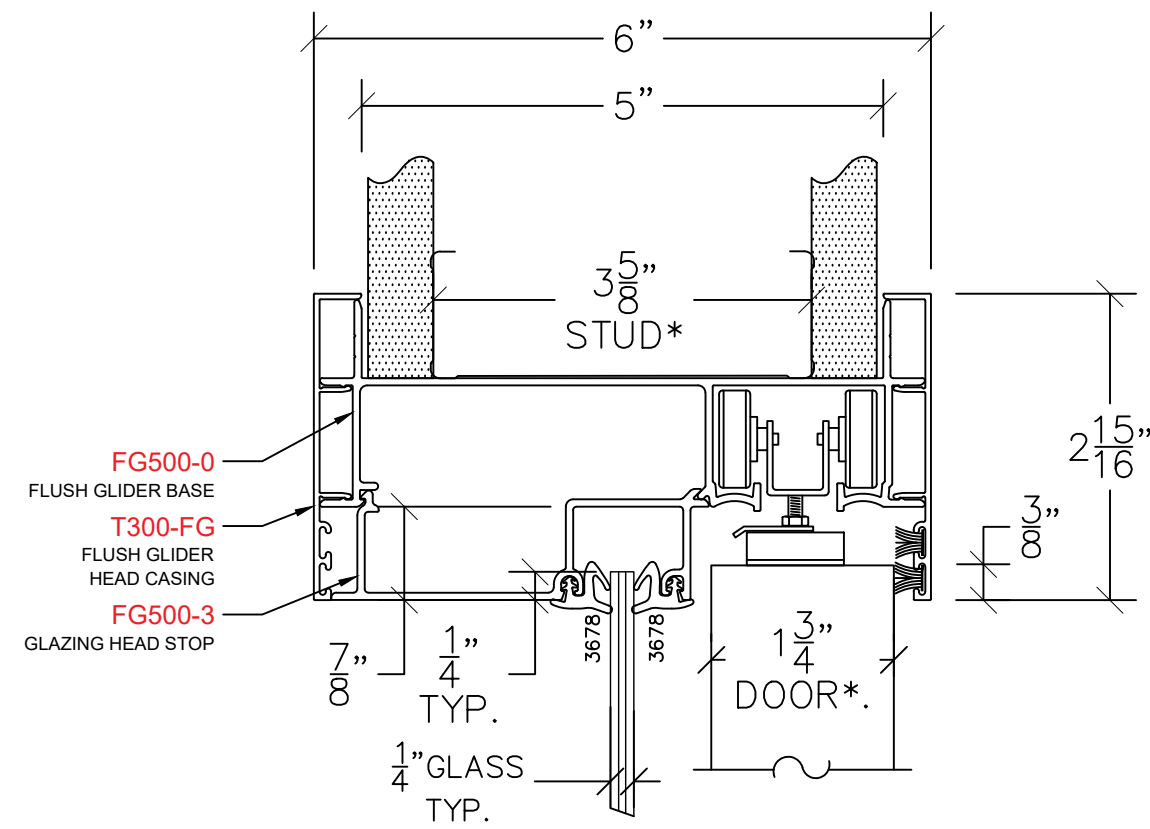


AVALON EAGLE – FLUSH GLIDER 500

FG400 – GLAZING HEAD
PROFILE: 2 $\frac{15}{16}$ " TRIM



NOTE: STANDARD GLASS BITE $\frac{1}{4}$ "



P: (503)885-9494
W: AVALONINT.COM