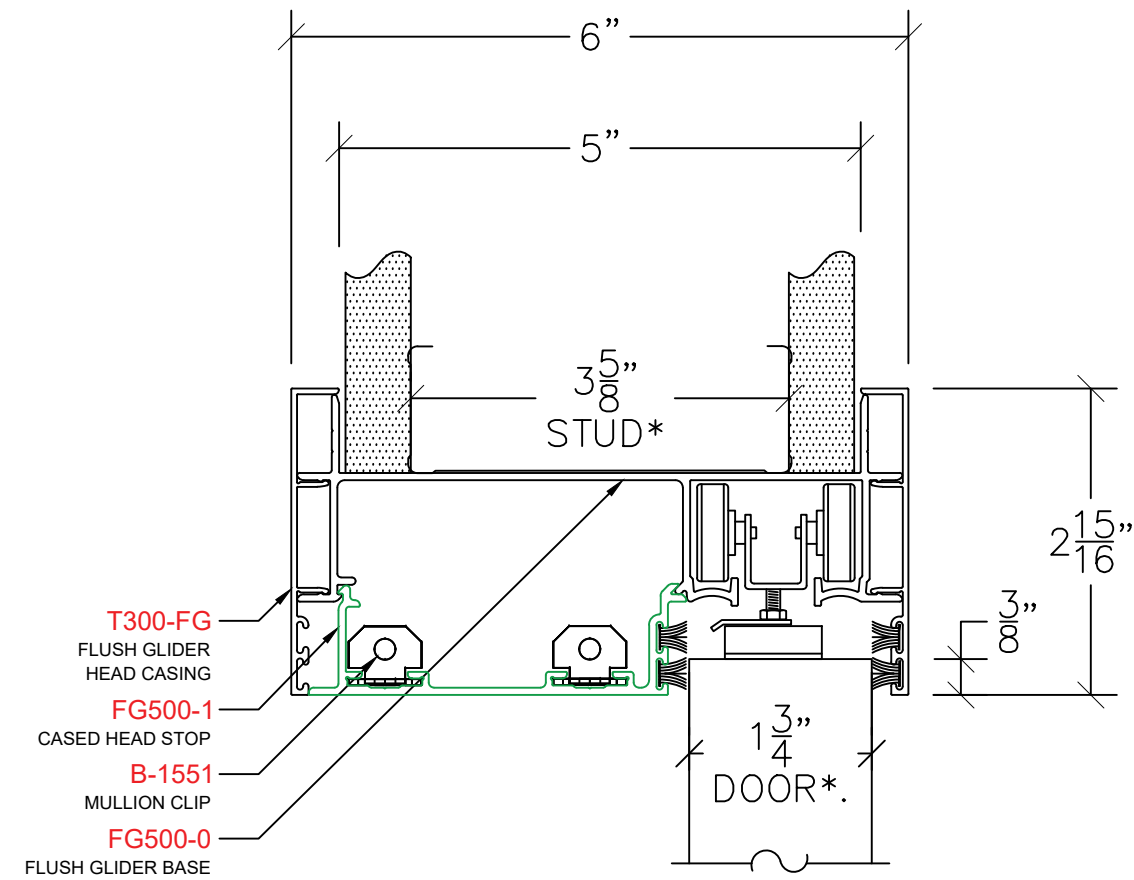


AVALON EAGLE – FLUSH GLIDER 500

FG200 – DOOR HEAD  
PROFILE: 2 $\frac{15}{16}$ " TRIM



P: (503)885-9494  
W: AVALONINT.COM