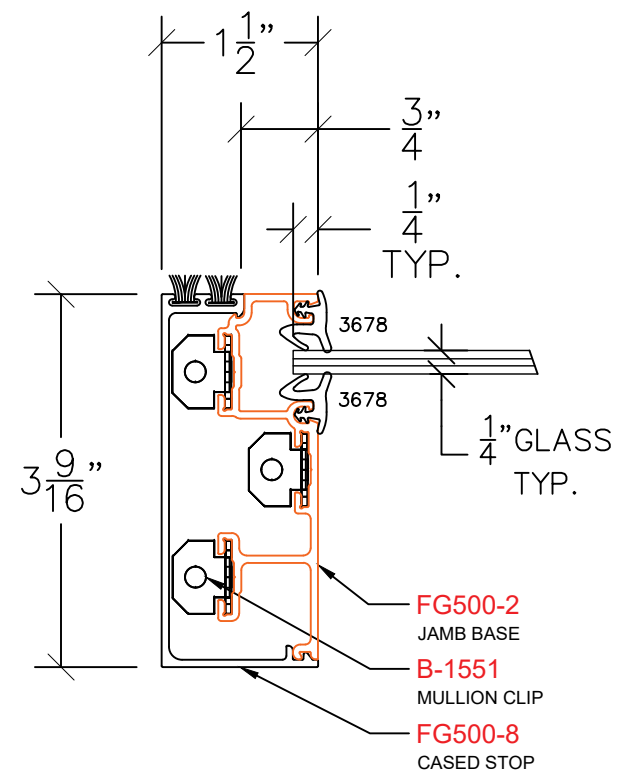


AVALON EAGLE – FLUSH GLIDER 500

FG150 – CASED VERTICAL MULLION
PROFILE: 1½" TRIM



NOTE: STANDARD GLASS BITE ¼"



P: (503)885-9494
W: AVALONINT.COM