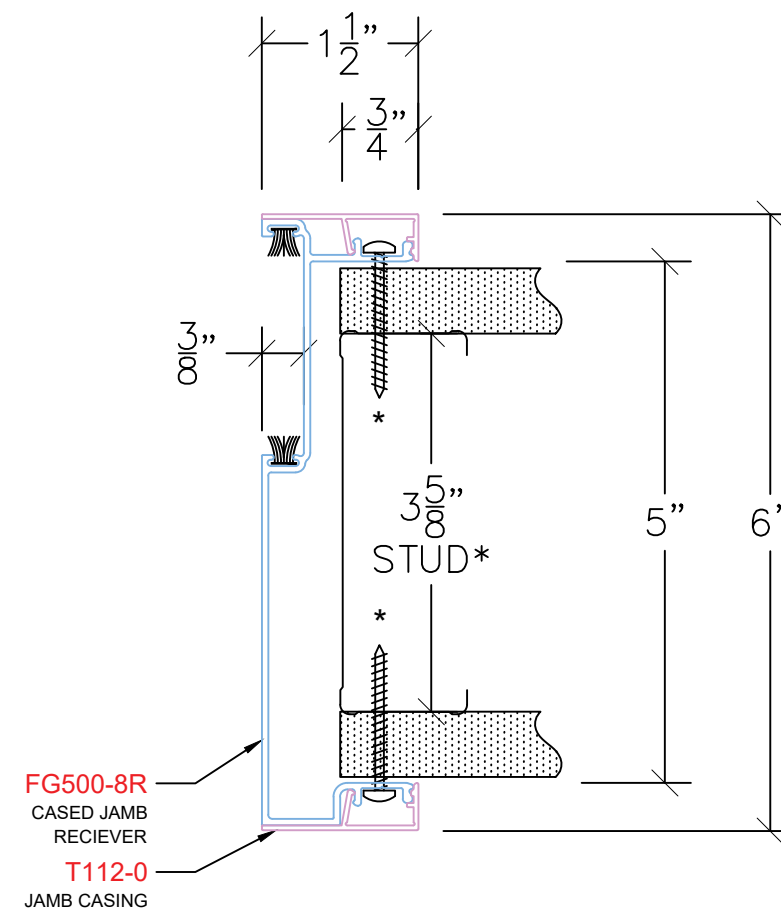


AVALON EAGLE – FLUSH GLIDER 500

FG100R – CASED JAMB RECEIVER
PROFILE: 1½" TRIM



P: (503)885-9494
W: AVALONINT.COM