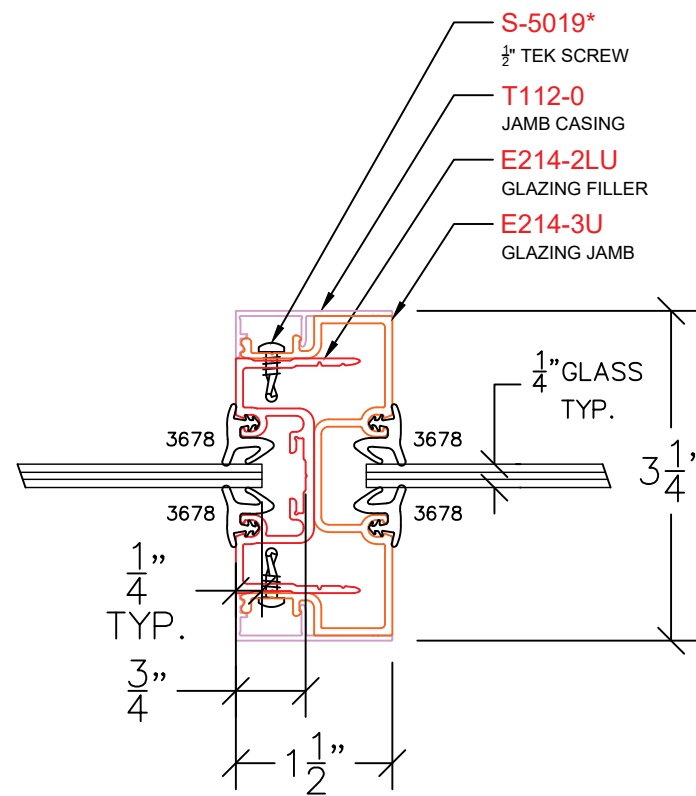


AVALON EAGLE 214 DEMOUNTABLE

E303 – GLAZING INTERMEDIATE VERTICAL
PROFILE: 1½" TRIM



NOTE: STANDARD GLASS BITE ¼"



P: (503)885-9494
W: AVALONINT.COM