

Exclusive double wool pile for superior sound attenuation

- Available Options: Pocket Doors, Bypass Doors
- Compatible with: 1-3/4" Doors, 1-3/8" Doors
- Profiles are available in standard 1-1/2" or 2"
- No sill starter/ blocking needed
- ANSI Strike
- No Extended Lip Strike Required
- Heavy-duty All Aluminum Hinge Backer
- Mitre Corners Available



Clear
Anodized



Standard
Black



Standard
White



Standard
Bronze



Standard
Grey



Champagne

PREMIUM HARDWARE

- Electric Strikes - All types
- Backers Included & Installed

Aluminum Frames With Glazing

Avalon International Aluminum offers barn door sliders designed to slide on the exterior of the wall, providing a distinctive and space-saving solution. These sliders come with various options, including Pocket Doors, Bypass Doors, and compatibility with both 1-3/4" and 1-3/8" doors.



No Field Notching of Trim Required

Rough Opening for 1-1/2" or 2" profile:

Opening Size + 3/4" each side

Example: 3070 Frame

$3/4" + 36" \text{ width} + 3/4" = 36\text{-}1/2"$ rough opening

Example: 3070 Frame with 1'-0" Sidelite

$3/4" + 36" \text{ width} + 1\text{-}1/2" \text{ profile} + 1\text{-}0" \text{ sidelite} + 3/4" = 4\text{-}3"$

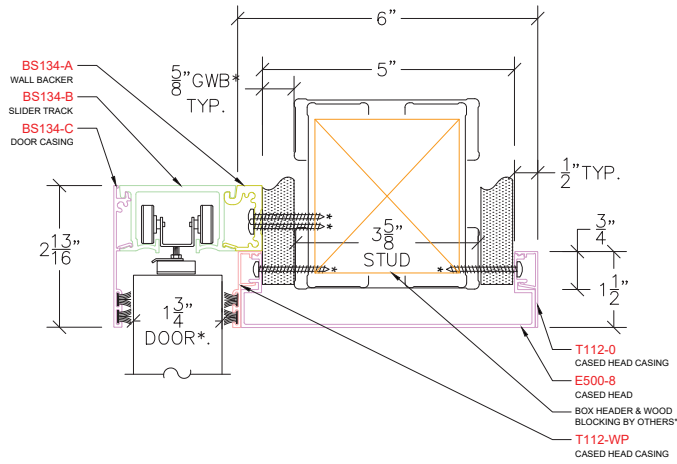
All Throats Feature:

Flush Glazing 3-1/2" to 16-1/2" walls in 1/8" increments

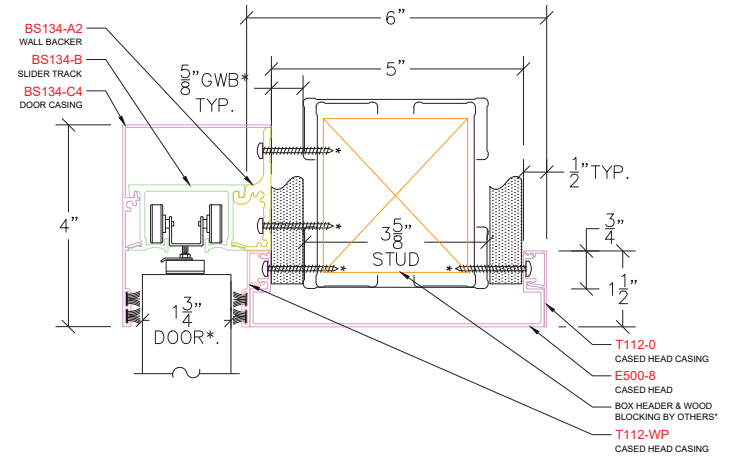


AVALON
INTERNATIONAL
ALUMINUM

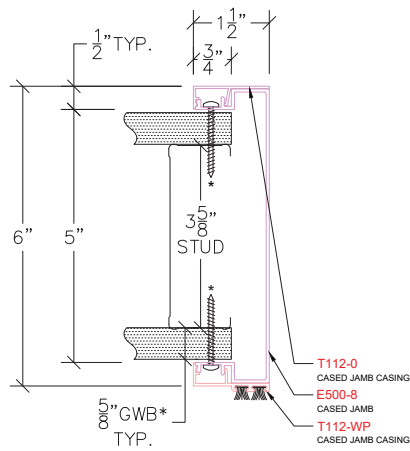
BARN DOOR SLIDER



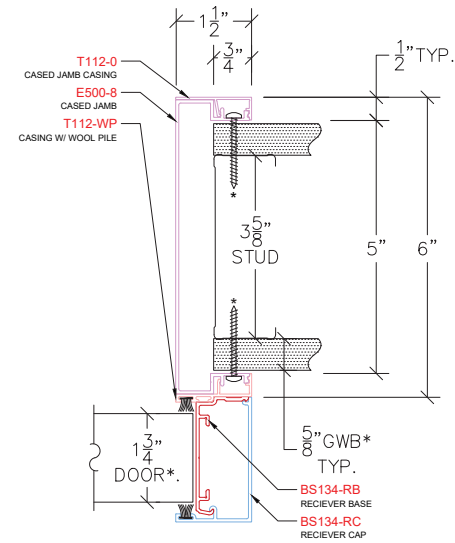
BS214 - Cased Head



BS216 - Cased Head



BS140 - Cased Jamb



BS140R - Cased Jamb Receiver



AVALON
INTERNATIONAL
ALUMINUM