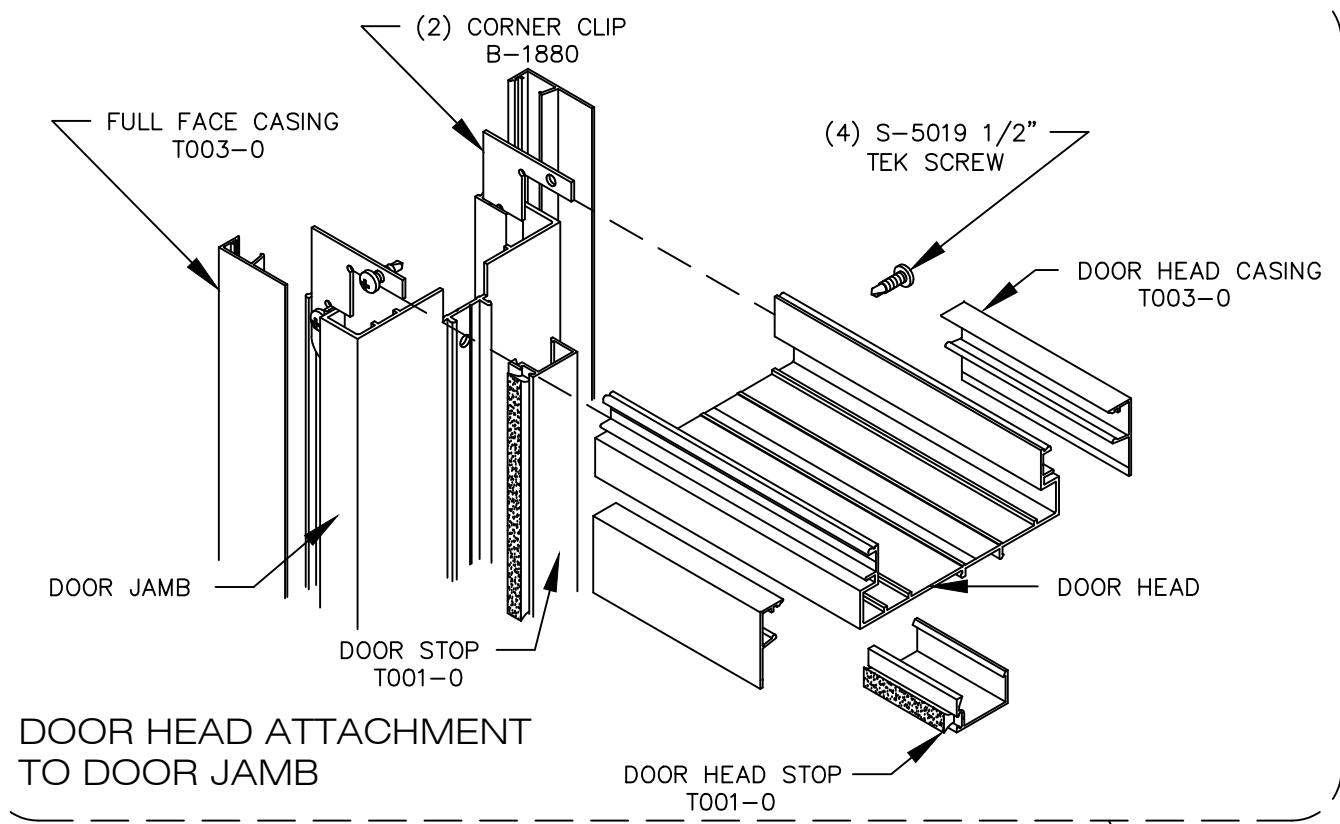


Notes:

Eagle Assembly Instructions

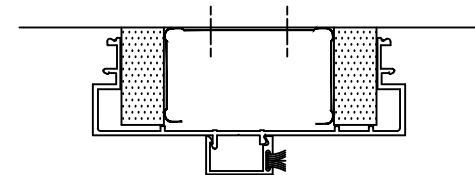


DOOR HEAD ATTACHMENT TO DOOR JAMB

1. Rough opening size

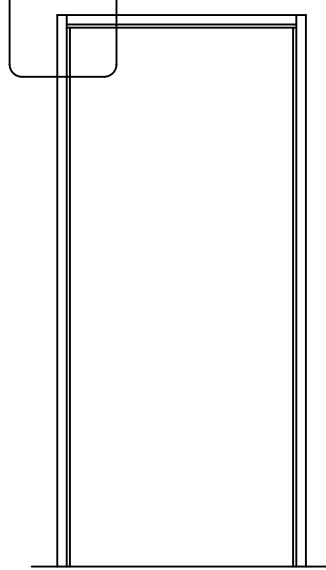
The rough opening should be a minimum of 1" larger than the door opening width and a maximum of 1 1/2". The rough opening height for less than ceiling height frames should be a minimum 3/4" larger than the door opening height, and a maximum of 1 1/4", i.e. frames with drywall above the header. The rough opening height for ceiling height frames should be 1 1/2" larger than the door opening.

2. Begin by assembling the door head stop to the door head by snapping together. Then set the header over the wall at the top of the opening.



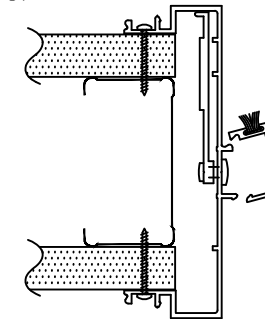
3. Set the jambs by holding the header and aligning the jamb section with the header, inserting the corner clips on to the header and jambs. When fitting the jambs over the walls, it may be necessary to rock the jambs from side to side to overcome the snug fit. Pull down on the header until the door head stop rests in the jamb cutout and the L-clips are engaged fully. Ensure the corners are square and that the jambs are plumb.

4. Using a self drilling TEK screw, attach the L-clips to the jambs and header. Make sure the L-clips abut the jambs and header tightly before attachment.



5. Check the dimension from the floor to the finished opening on the header. Plumb the jambs and attach to the wall using a minimum of 1 1/4" drywall screws (furnished by others) at attached 12" on center, both sides of the jambs. Ensure there is approximately the same amount of wall penetrating into both jambs and that the jambs are not twisted as they are attached to the wall. For fire rated installations, a drywall screw must be attached through a countersunk hole to the stud at each hinge location. Snap on the door stops to the upright jambs.

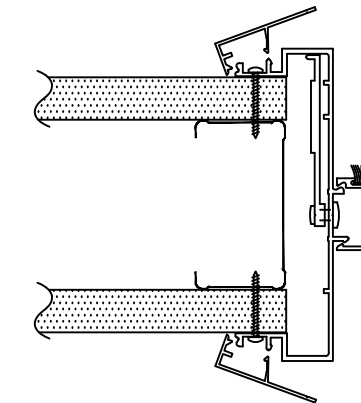
NOTE: DO NOT SNAP ON THE CASINGS YET.



6. Hang the pre-fitted door in the frame and close the door into the opening. Clearances between the top and sides of the door and the frame are approximately 1/8".

7. Now that the frame is secure, the door is hung and the casing strips are not applied, painting and wallpapering can now be done without special masking. After the wall finishing is completed, starting at the top of the jambs, snap the casing strips on as shown. Be careful to align with the top of the header and not to bend the strip. If necessary, use a rubber mallet and strike the casing on its corner only. DO NOT strike the casing on the 1 1/2" face because this can cause damage.

NOTE: (When Applicable)
Labeled fire door frames 20/45 minute.
Limitations: Max Size
Single 4'-0" X 9'-0"
Double 6'-0" X 9'-0"
Minimum Wall Thickness: 3 3/4"



NOTE

For Details on CAD Disk and Details Not Shown, Please Call 800-678-0566

Customer:	State:	Date:
Project:	City:	Drawn By:
Architect:	Scale: 1/2" = 1'	SIZE: B