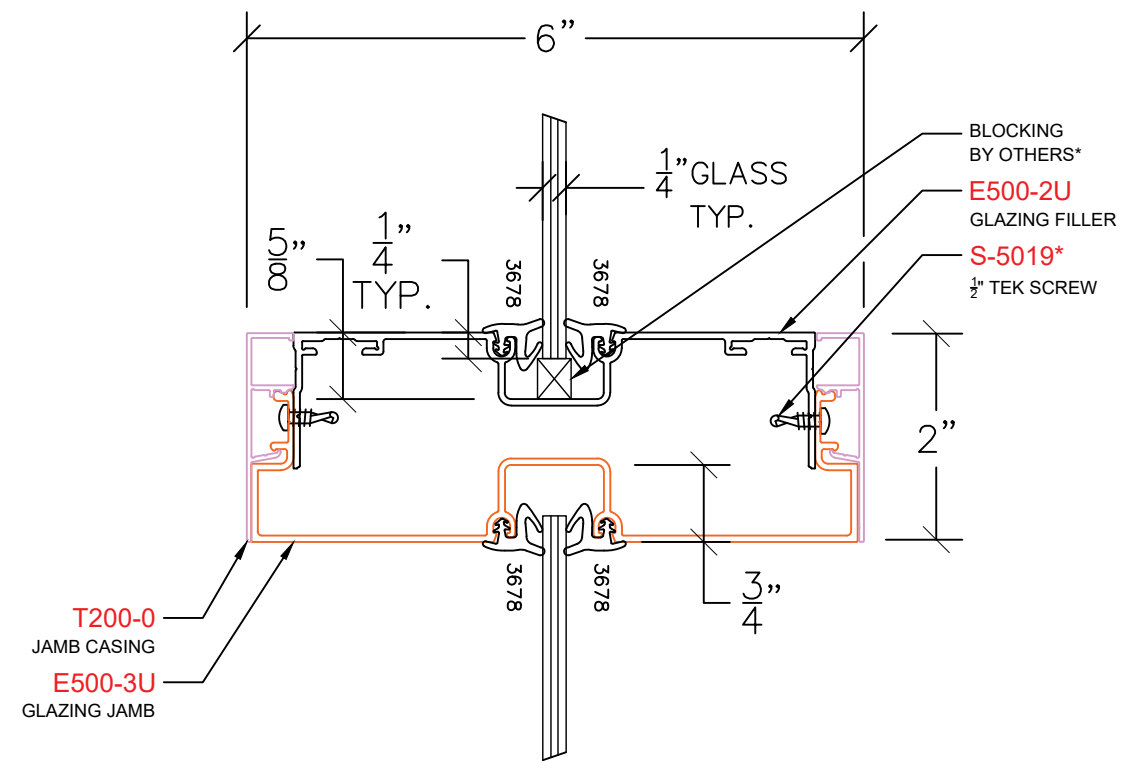


AVALON EAGLE 500

E423 – GLAZING HORIZONTAL MULLION
PROFILE: 2" TRIM



NOTE: STANDARD GLASS BITE 1/4"



P: (503)885-9494
W: AVALONINT.COM