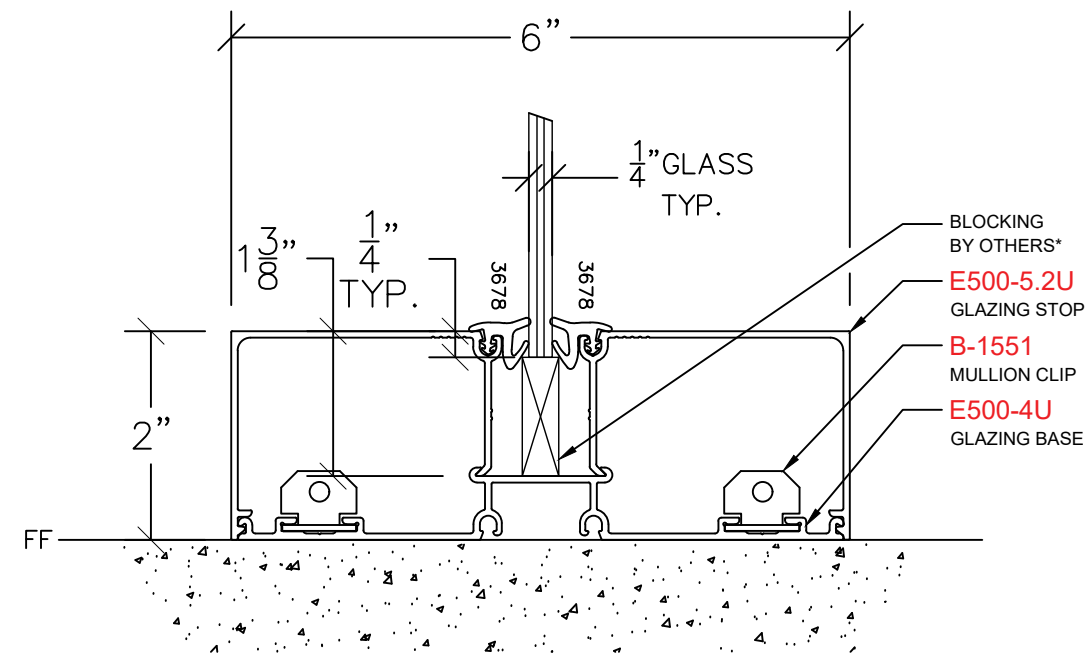


AVALON EAGLE 500

E420 – GLAZING SILL  
PROFILE: 2" TRIM



NOTE: STANDARD GLASS BITE 1/4"



P: (503)885-9494  
W: AVALONINT.COM