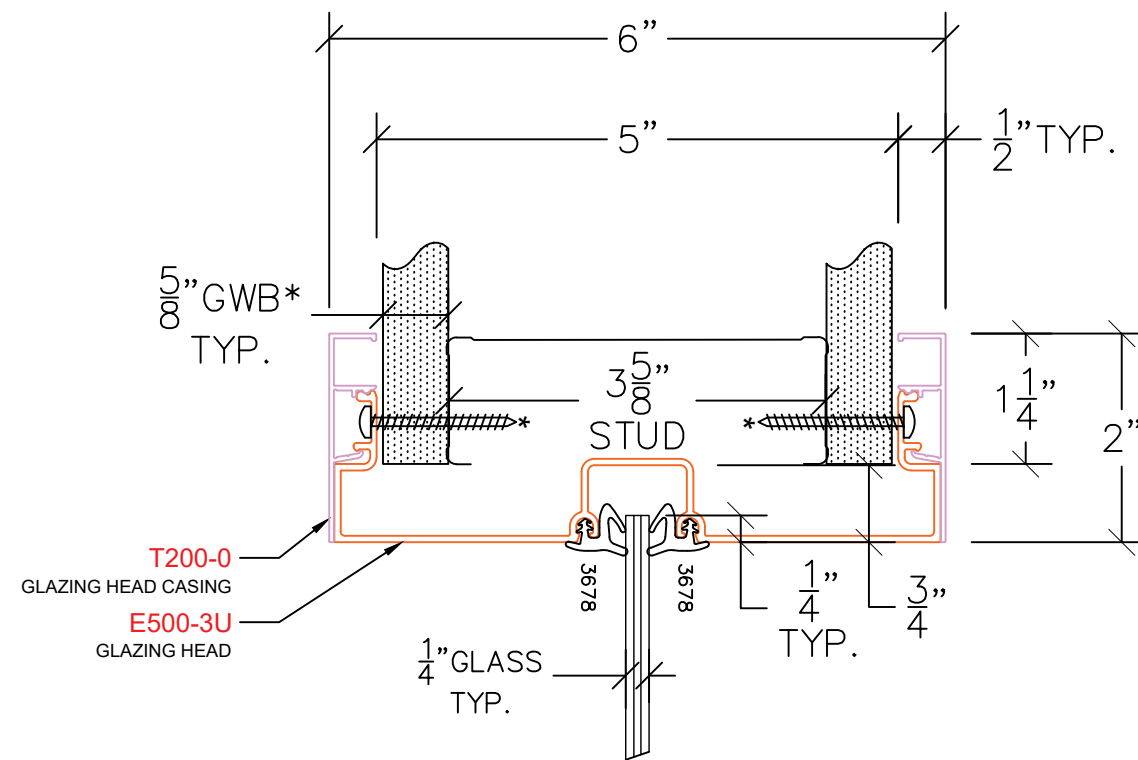


AVALON EAGLE 500

E400 – GLAZING HEAD  
PROFILE: 2" TRIM



NOTE: STANDARD GLASS BITE  $\frac{1}{4}$ "



P: (503)885-9494  
W: AVALONINT.COM