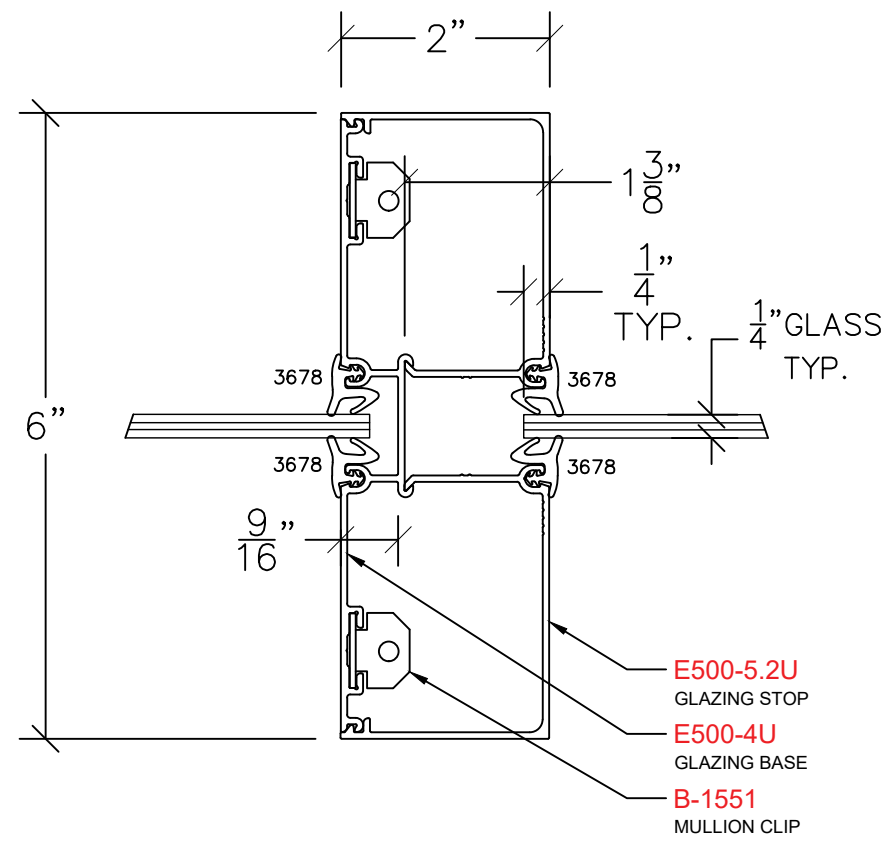


AVALON EAGLE 500

E305 – GLAZING INTERMEDIATE VERTICAL
PROFILE: 2" TRIM



NOTE: STANDARD GLASS BITE 1/4"



P: (503)885-9494
W: AVALONINT.COM