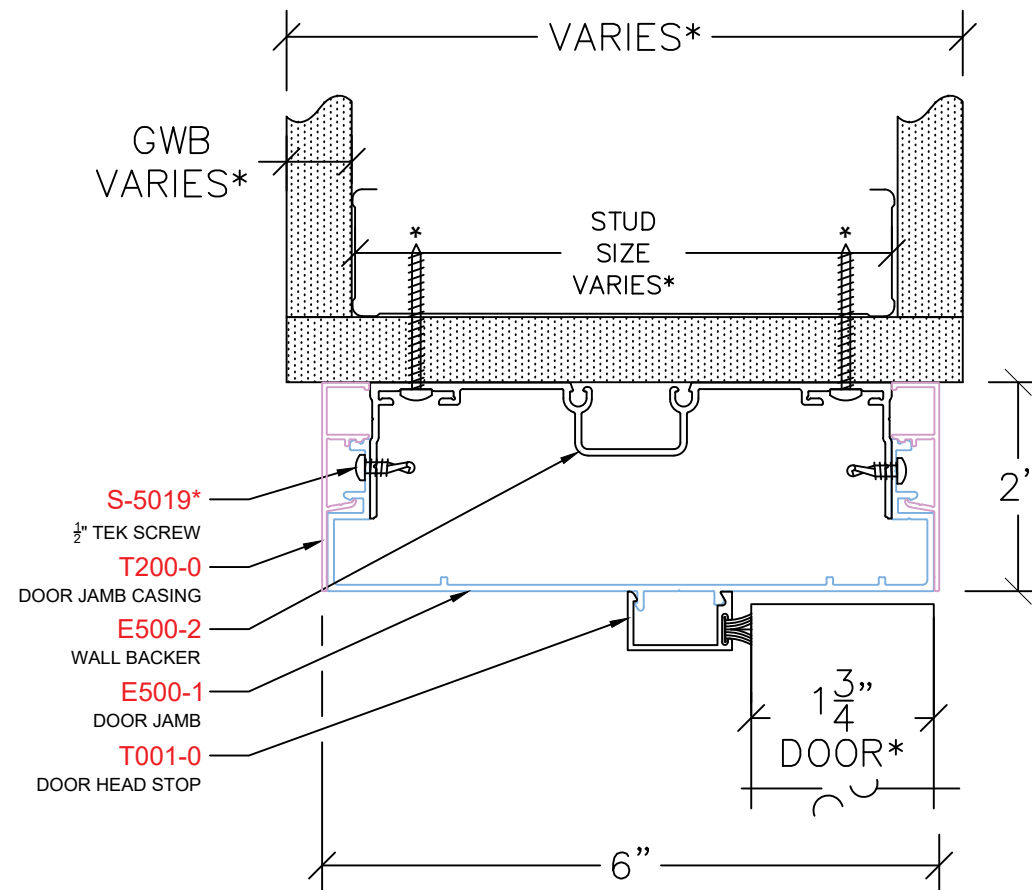


AVALON EAGLE 500

E208 – DOOR HEAD W/ WALL BACKER
PROFILE: 2" TRIM



P: (503)885-9494
W: AVALONINT.COM