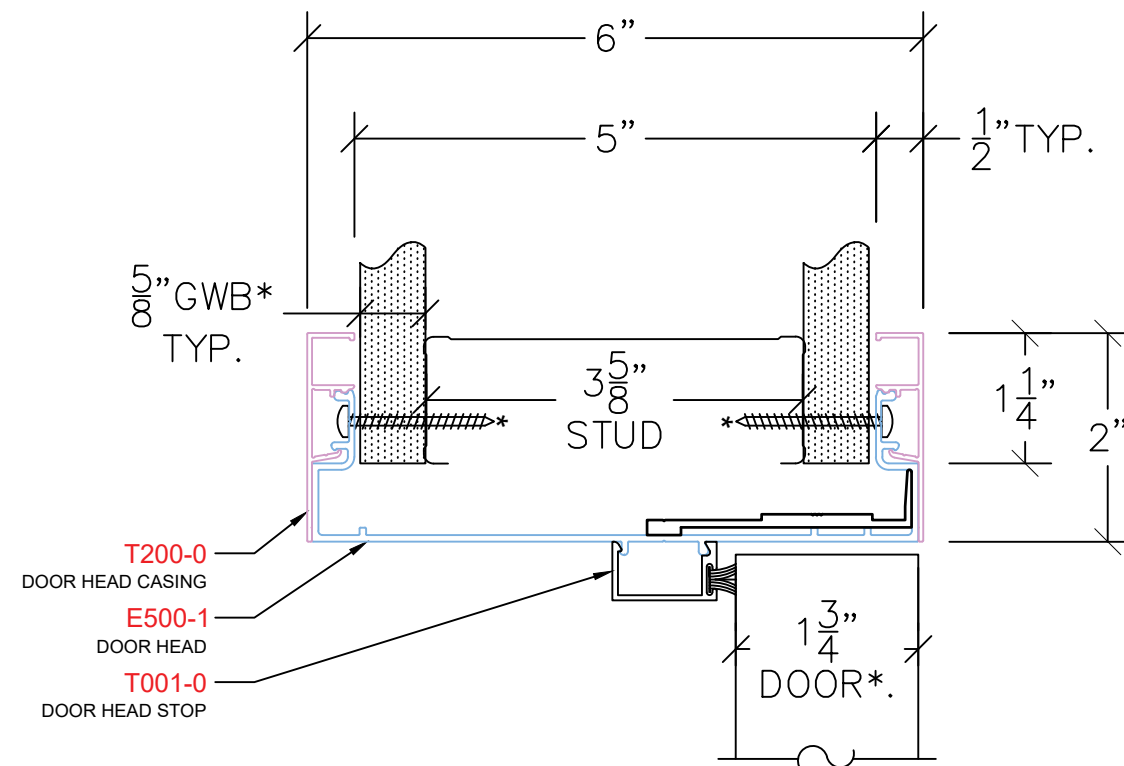


AVALON EAGLE 500

E200 – DOOR HEAD
PROFILE: 2" TRIM



P: (503)885-9494
W: AVALONINT.COM