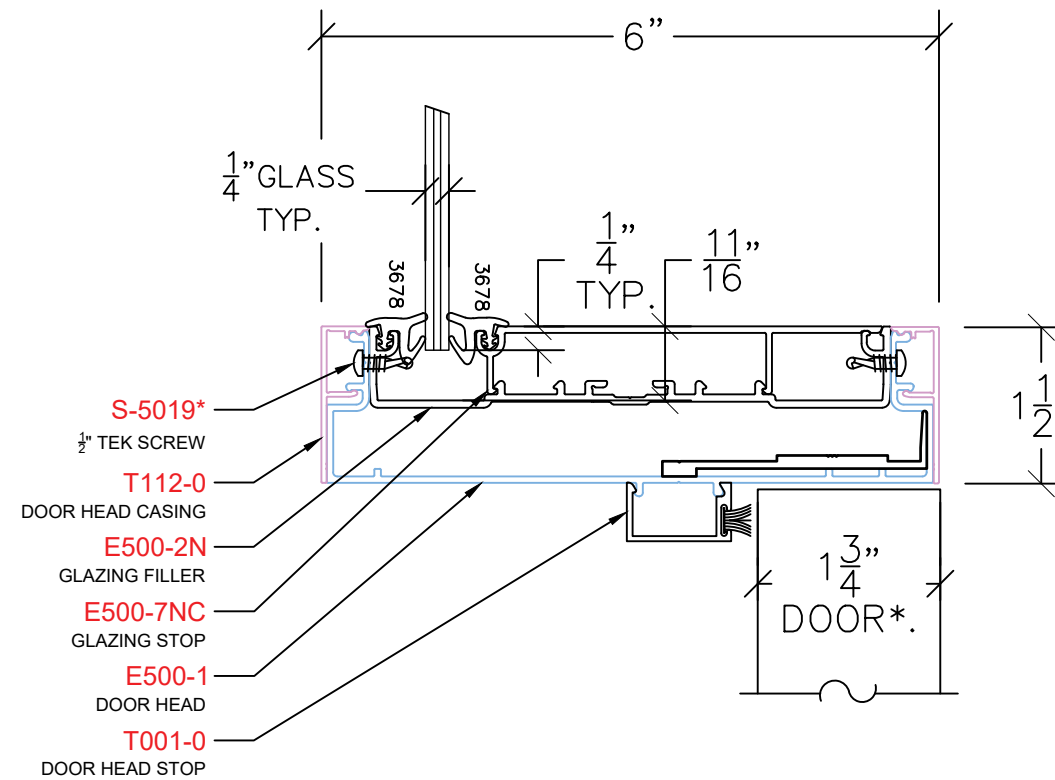


AVALON EAGLE 500 OFFSET GLAZING

O215 – DOOR HEAD TRANSOM  
PROFILE: 1 1/2" TRIM



NOTE: STANDARD GLASS BITE 1/4"



P: (503)885-9494  
W: AVALONINT.COM