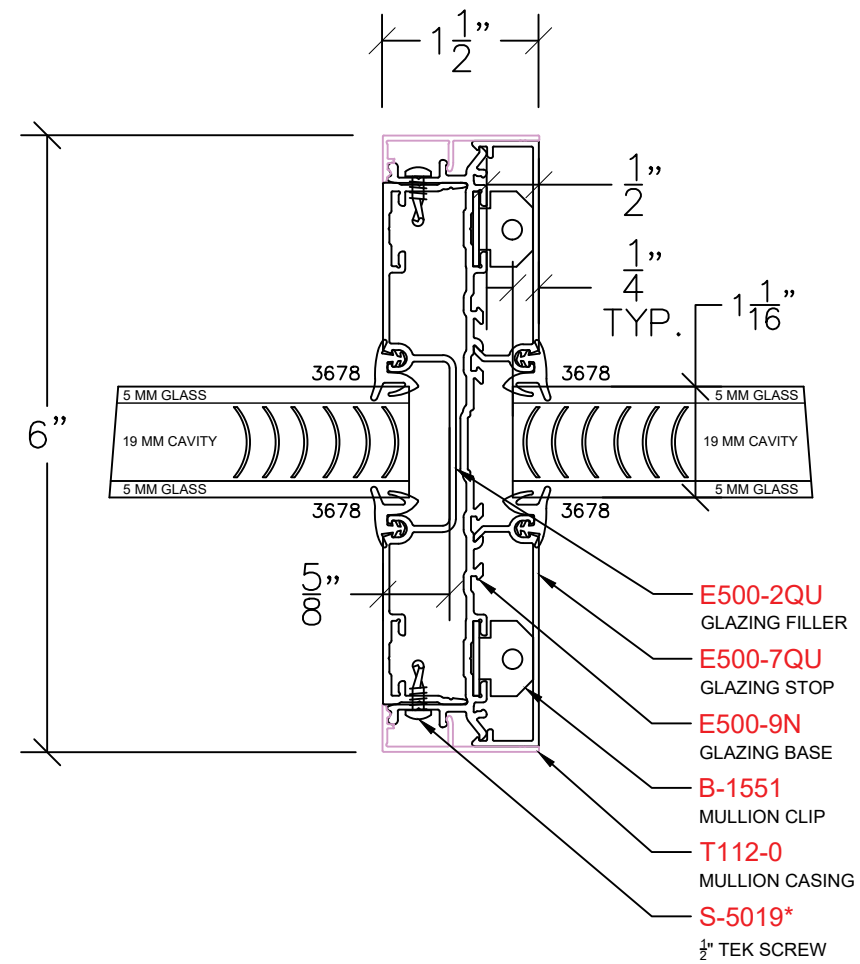


AVALON INTEGRAL BLINDS 500

E307 – GLAZING INTERMEDIATE VERTICAL
PROFILE: 1½" TRIM



NOTE: STANDARD GLASS BITE ¼"



P: (503)885-9494
W: AVALONINT.COM