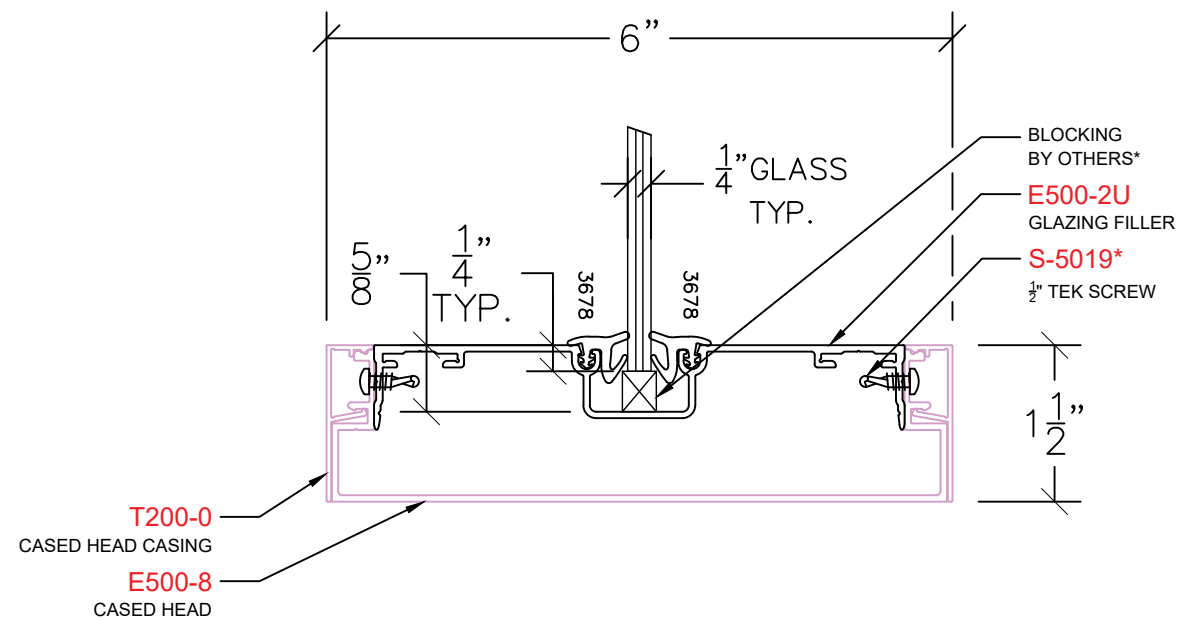


AVALON EAGLE 500

E216 – CASED HEAD TRANSOM  
PROFILE: 1½" TRIM



NOTE: STANDARD GLASS BITE ¼"



P: (503)885-9494  
W: AVALONINT.COM