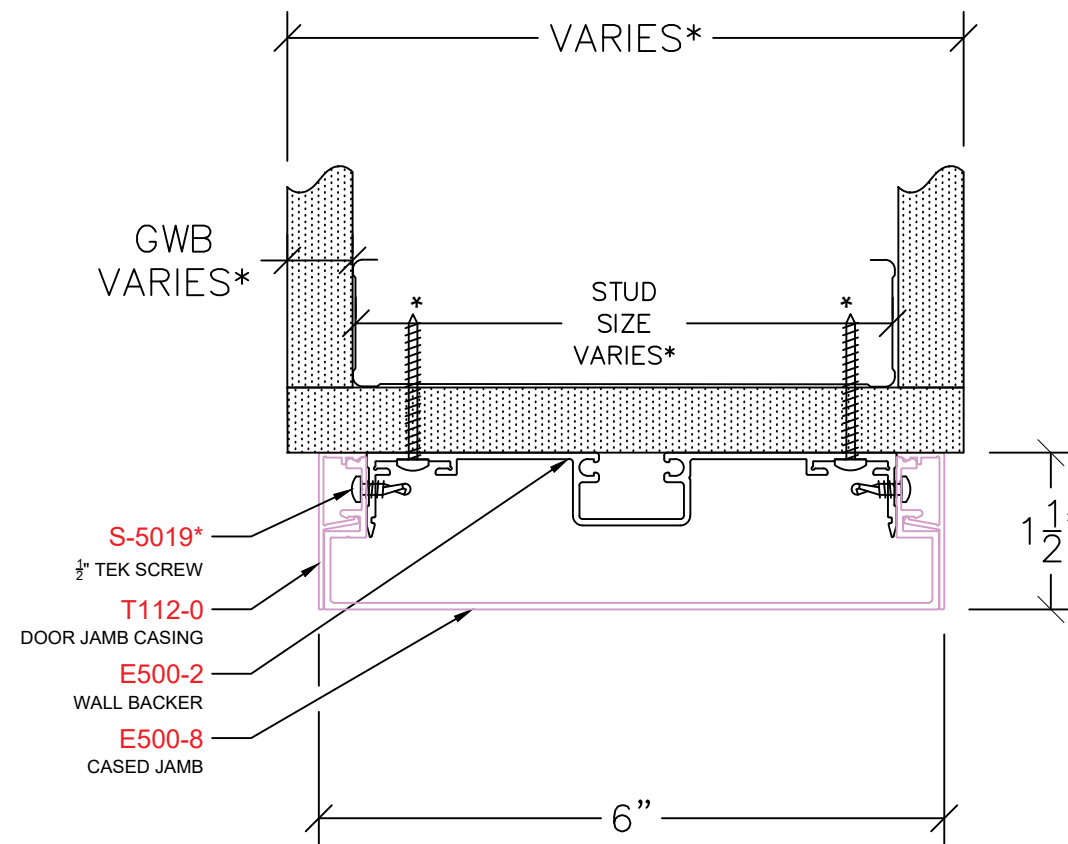


AVALON EAGLE 500

E214 – CASED HEAD W/ WALL BACKER
PROFILE: 1½" TRIM



P: (503)885-9494
W: AVALONINT.COM