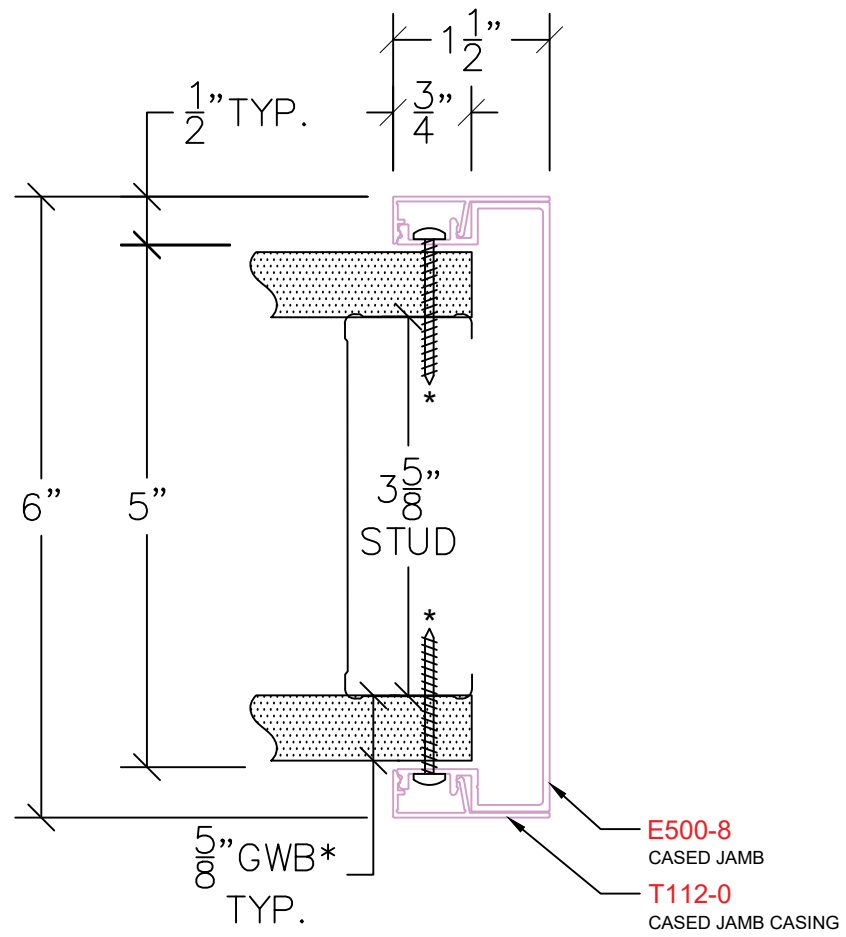


AVALON EAGLE 500

E140 – CASED JAMB
PROFILE: 1½" TRIM



P: (503)885-9494
W: AVALONINT.COM